

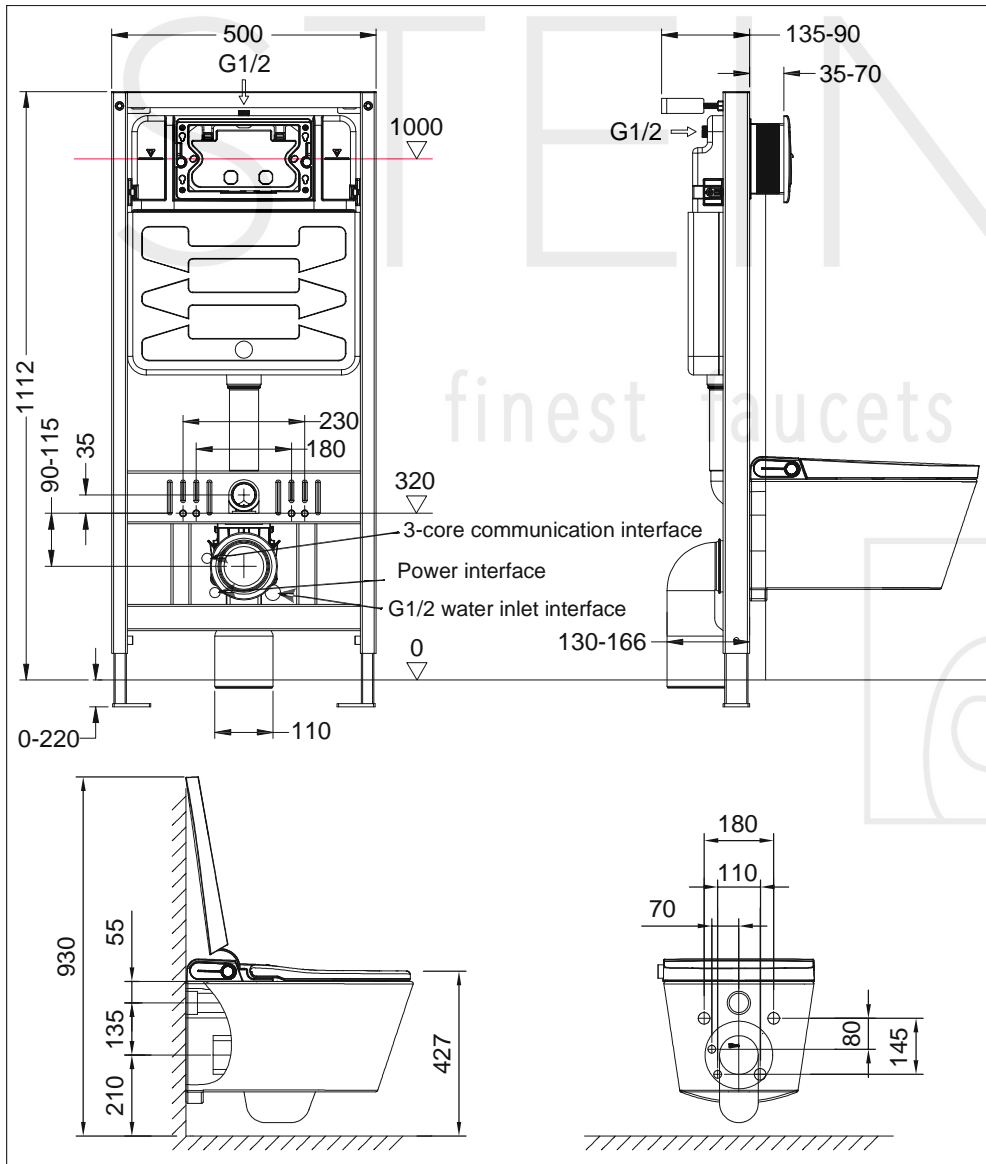
STEINBERG



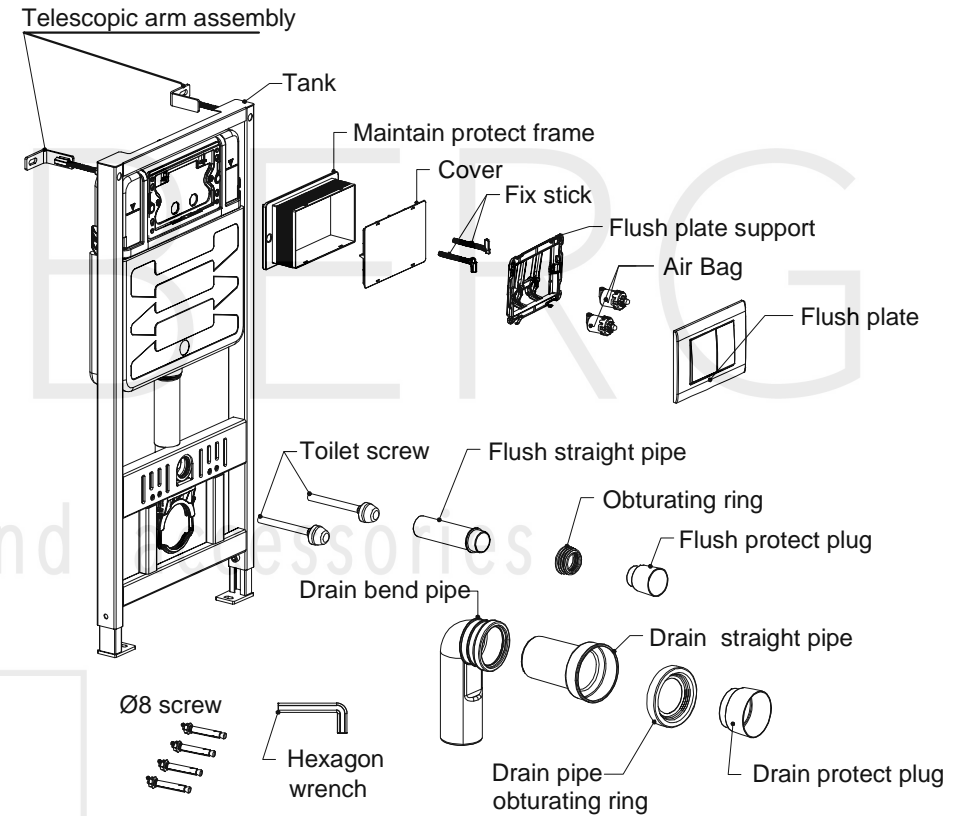
Dusch-WC-Sitz aus keramik

Art.Nr.700 9030

Technische Zeichnung

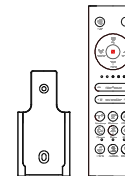


Parts List



Tips:

Please install this product before paving tiles. Before installing, confirm the installation location and confirm the horizon after the completion of the project. Draw the horizon 0 on the installation wall. This product is installed as a baseline 0 for the installation height.



Remote Control & Holder



User Guide



Qualified Certificate



Battery

STEINBERG



Dusch-WC-Sitz aus keramik

Art.Nr.700 9030

1. Build an artificial wall (half artificial wall)

Artificial wall Half artificial wall

min.520
1m

- (1) The wall can be brick or gypsum board.
- (2) Reserved space for water pipes.
- (3) At least 520mm width for cistern installation.

2. Adjustment before Installation

1 2 3 4 5

400 +20
-10

Ø55±2
L
Ø102±5

0 OK
FFB

Measure the distance of L

Adjust the arm

Install the extending arm Adjust the extending leg

Press the adjustment sheet, adjust the center distance to L.

NOTE: the size unit is mm, ∇ = the floor height after the project. The fill water pressure and stop filling pressure is between 0.01MPa-2.0MPa, water temperature: 2°C-45°C, flush volume can be adjustable.

3. Install the cistern

Horizontal correction

Vertical correction

Correction Mark the punching hole Punch Ø10 hole Fix the cistern Assemble the screw and protect cover

Ø10
min.60

Warm tips: Before installing the cistern, please make sure that you have installed a floor drain that meets the National Standard.

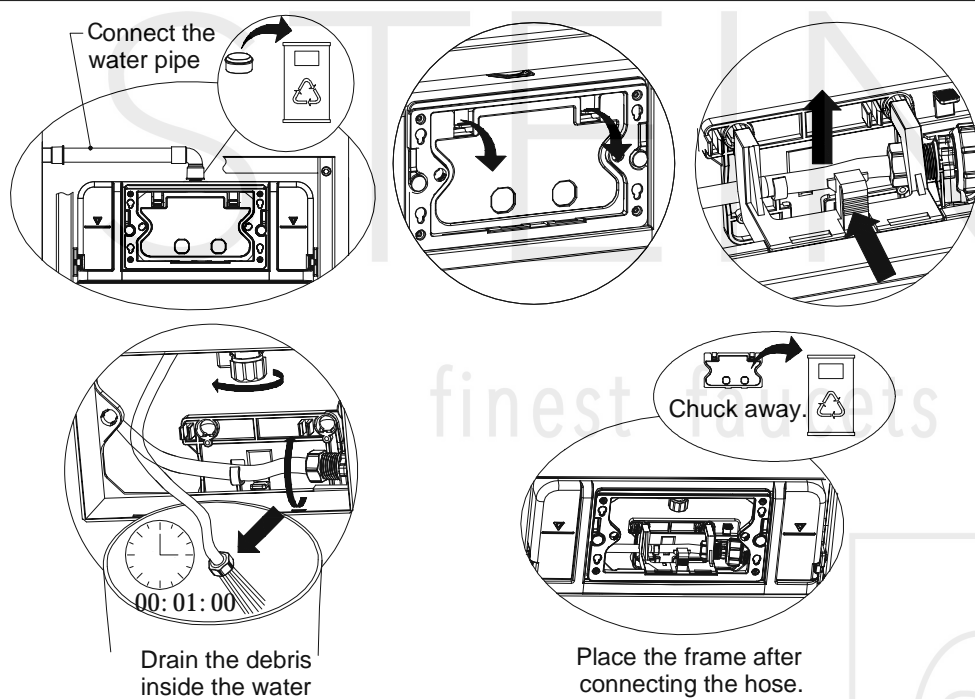
STEINBERG



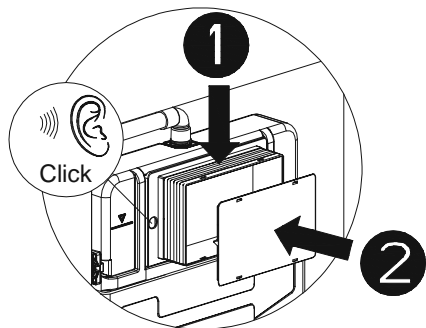
Dusch-WC-Sitz aus keramik

Art.Nr.700 9030

4. Connect the water inlet



5. Preparation before paved



Warm tips:

Before paving, please check the water supply and cistern, ensure no water leakage in water supply and cistern.

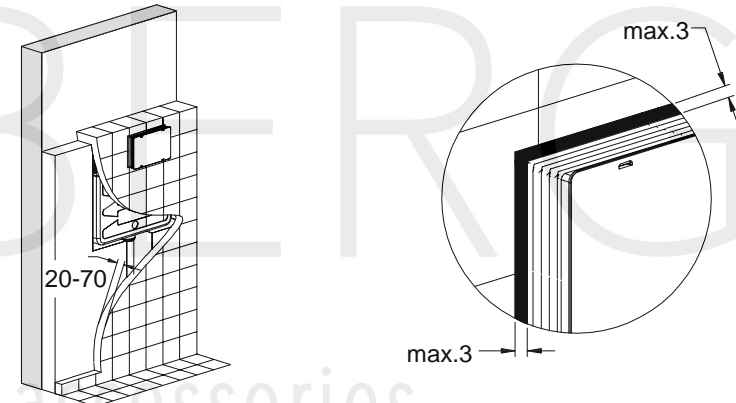
Check method:

Switch on the angle valve and full the cistern with water. Watch and make sure there is no leakage between the cistern and the connection pipe. Then switch off the angle valve and drain the cistern.

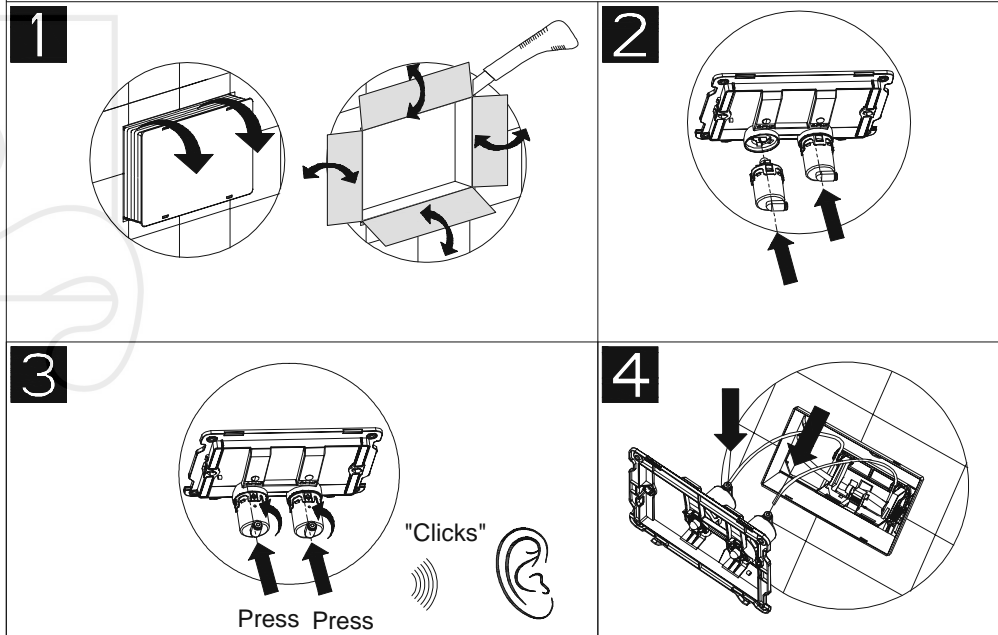
6. Pave

Cover the concealed system with gypsum board or composite panel and Wall paving thickness: min20mm and max70mm.

Note: The gap between the tiles and the maintenance protect frame should be not less than 3mm.



7. Install the flush plate



STEINBERG

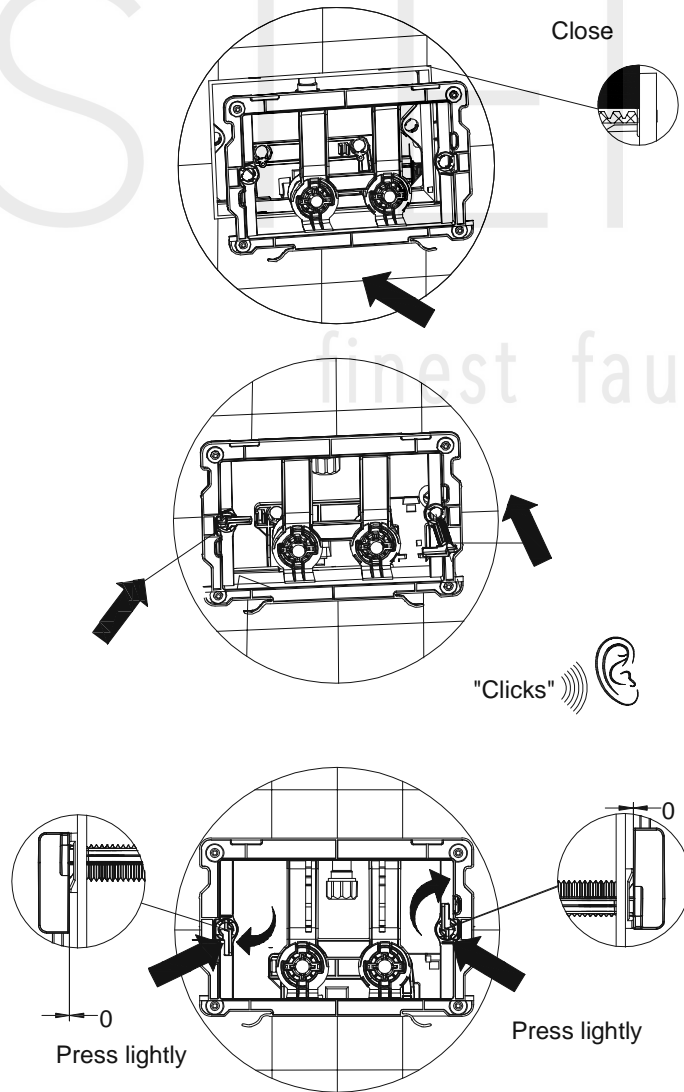


Dusch-WC-Sitz aus keramik

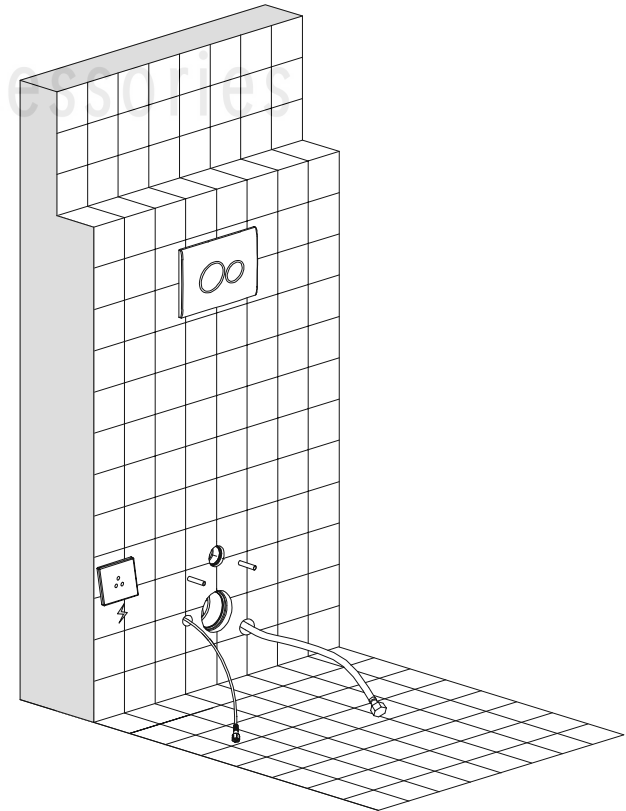
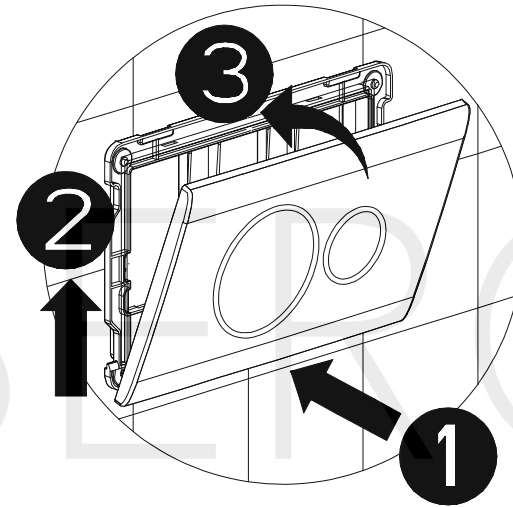
Art.Nr.700 9030

Installation

5



6



STEINBERG

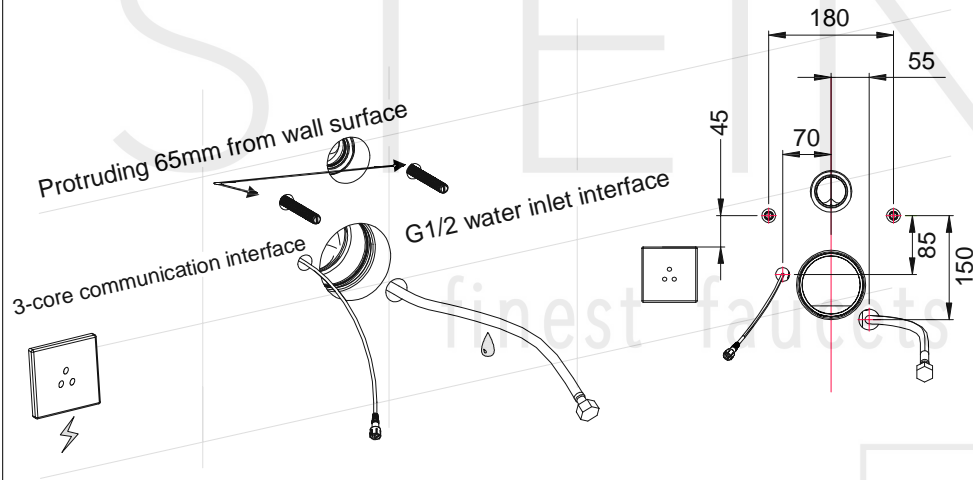


Dusch-WC-Sitz aus keramik

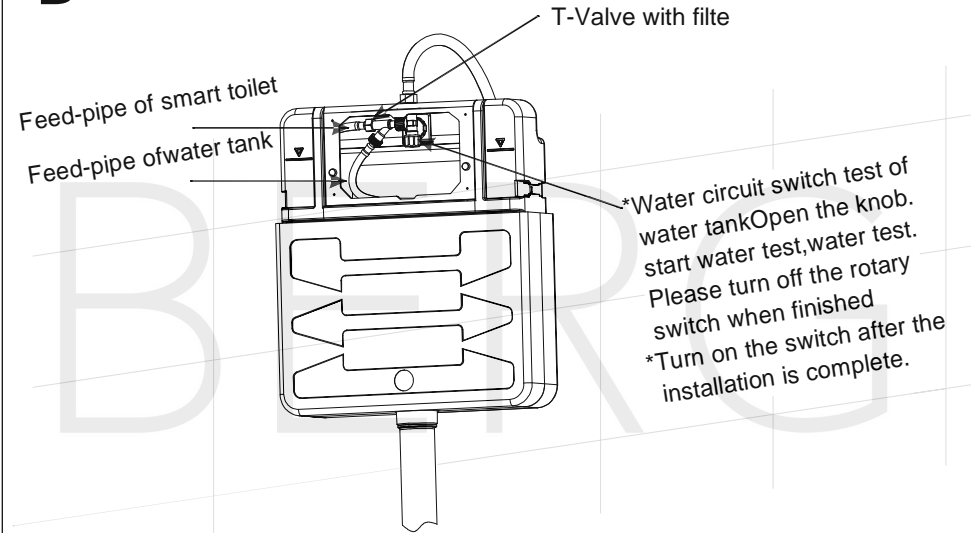
Art.Nr.700 9030

8. Install the toilet

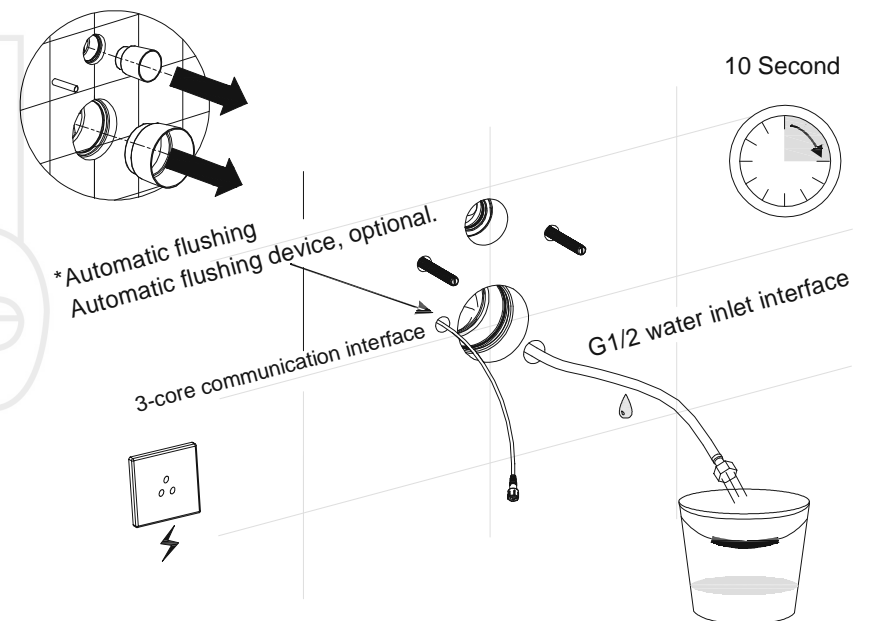
Tip: A concealed tank with a cover water supply pipe is preferred.



B

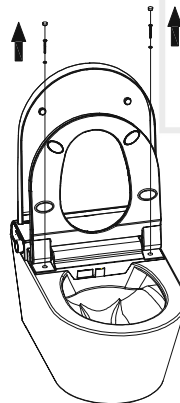


C



A

Remove the smart seat from toilet bowl:
first remove the silicone screw cover,
then remove the two stainless bolts,
finally hold both sides of the smart seat and lift it up.



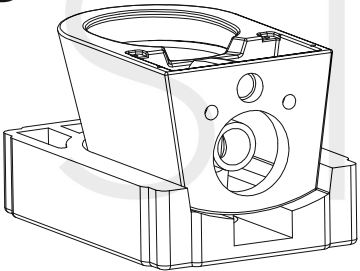
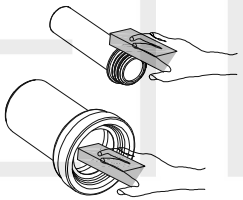
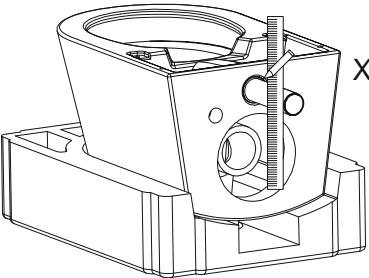
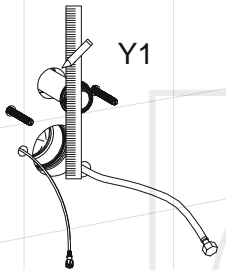
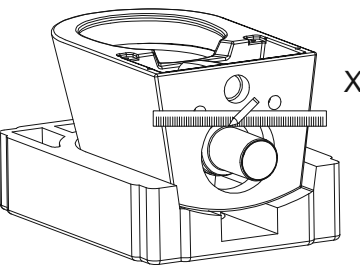
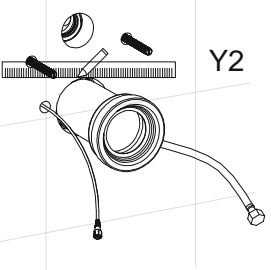
STEINBERG

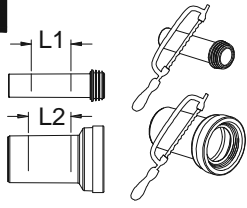
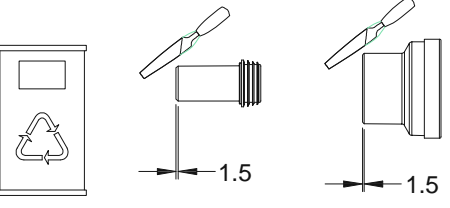
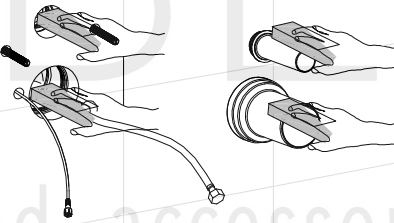
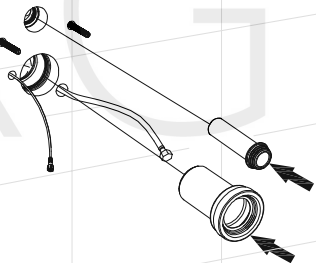
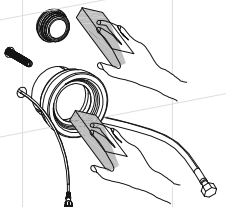
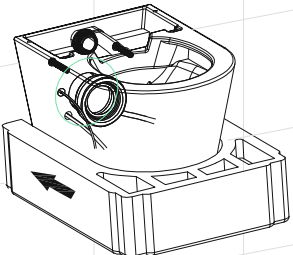
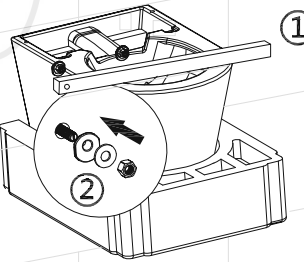
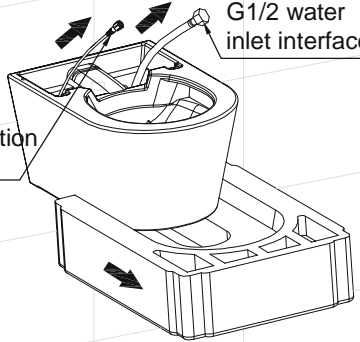


Dusch-WC-Sitz aus Keramik

Art.Nr.700 9030

8. Install the toilet

D  1	 2
 X1 3	 Y1 4
 X2 5	 Y2 6

7  L1 L2 Truncate Part L1+3 L2+3	 1.5 1.5
E  1	 2
 3	 4
 ① 5	 ② 3-core communication interface G1/2 water inlet interface 6

STEINBERG

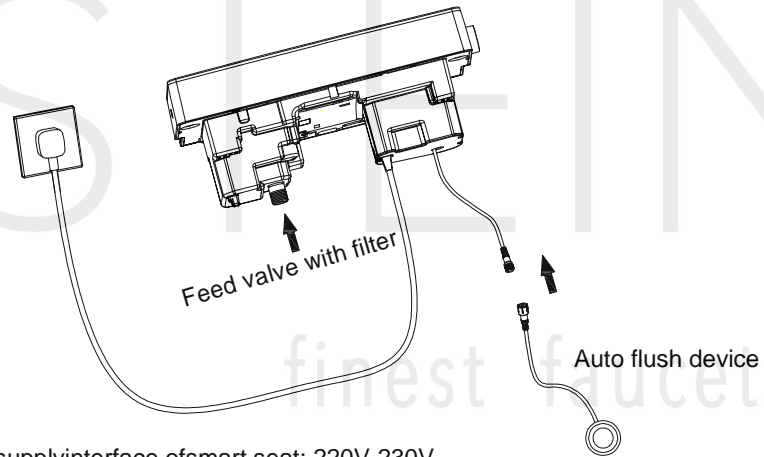


Dusch-WC-Sitz aus Keramik

Art.Nr.700 9030

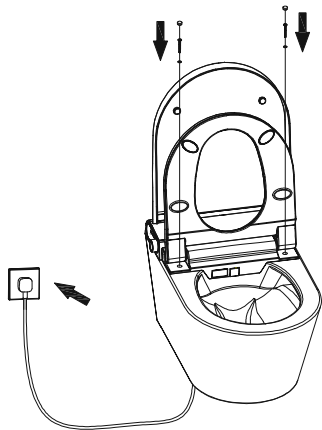
8. Install the toilet

F



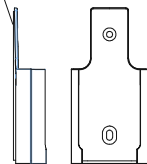
Power supply interface of smart seat: 220V-230V~

Install smart seat with ceramic:
align the smart seat with mounting buckle
of base part and press down, fix the smart
seat on the ceramic with two stainless bolts,
and then press the silicone screw cover.



Bracket Installation:
Remove the self-adhesive protective film on
the back of the remote control hanger and
attach the hanger to the appropriate wall.

Double faced adhesive tape



F

Installation finished

